

PD-8 ECO

DALI-2 Input Device - concealed white
 EAN 4007841 088194
 Article number 088194



Magnet zur einfachen Installation



Infrarot-Sensor 360°



Montagehöhe max. 4 m



Präsenz Ø 6 m



Max. Ø 8 m



IP20



DALI-2

Teach

Teach mode

5 years

Herstellergarantie steinel-professional.de/garantie



CE

Function description

Motion detection, presence detection and light measurement for offices, meeting rooms, passageways and more – the 360° IR presence detectors are sensNORM-compliant and ideal for sensor-based standard requirements in public buildings. With COM1, KNX and DALI-2 IPD interface. With COM1 interface, key input and fully/semi-automatic mode. Motion detection range: Ø 8 or Ø 24 m. Presence detector function with Ø 6 or Ø 7.5 m detection zone. Includes insertable cover caps in a matching colour. For concealed wiring, surface mounting and recessed ceiling installation. Configuration and operation via Smart Remote control or potentiometer. Installation-friendly modular magnetic plug-in connection. LED feedback for safe commissioning. Mounting height max. 4 m. Parallel switching (up to 10 sensors). Switching output: 2000 watt or 500 watt (LED). In black or white.

Technical specifications

| | | | |
|----------------------------|---|---|--|
| Dimensions (Ø x H) | 109 x 69 mm | Mounting height | 2 – 4 m |
| With motion detector | Yes | Mounting height max. | 4,00 m |
| Manufacturer's Warranty | 5 years | Optimum mounting height | 2,8 m |
| Settings via | Bus | Detection angle | 360 ° |
| With remote control | No | Capability of masking out individual segments | Yes |
| Version | DALI-2 Input Device - concealed white | Electronic scalability | No |
| PU1, EAN | 4007841088194 | Mechanical scalability | No |
| Type | Motion and Presence Detector | Reach, radial | Ø 4.5 m (16 m ²) |
| Application, place | Indoors | Reach, tangential | Ø 8 m (50 m ²) |
| Application, room | one-person office, function room / ancillary room, Indoors, warehouse | Reach, presence | Ø 6 m (28 m ²) |
| Colour | white | Switching zones | 492 switching zones |
| Includes corner wall mount | No | Abdeckmaterial Lieferumfang | shrouds |
| Installation site | ceiling | Functions | Motions sensor, Light sensor, Presence function, Presence detector logic |
| Installation | Concealed wiring, Ceiling | | |

PD-8 ECO

DALI-2 Input Device - concealed white
EAN 4007841 088194
Article number 088194



Technical specifications

| | |
|----------------------|--------------------------------|
| IP-rating | IP20 |
| Ambient temperature | -20 – 50 °C |
| Material | Plastic |
| Power supply, detail | DALI bus |
| Technology, sensors | passive infrared, Light sensor |

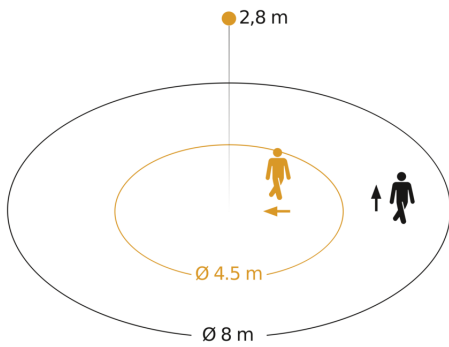
| | |
|--|---------------|
| Type of interconnection | Master/master |
| Interconnection via | Cable |
| Max. Current consumption according to IEC 62386-101 | 84 mA |
| Typical current consumption at 16V input voltage | 12 mA |
| Max. Current consumption at 10V input voltage in regular operation | 17 mA |

PD-8 ECO

DALI-2 Input Device - concealed white
EAN 4007841 088194
Article number 088194

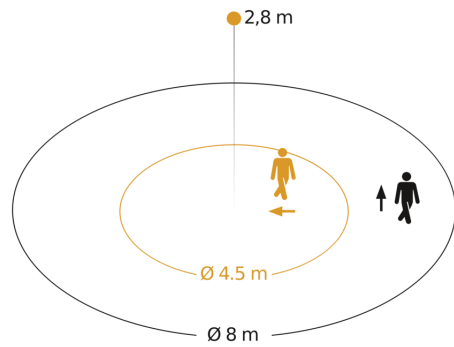


Detection Zone 1



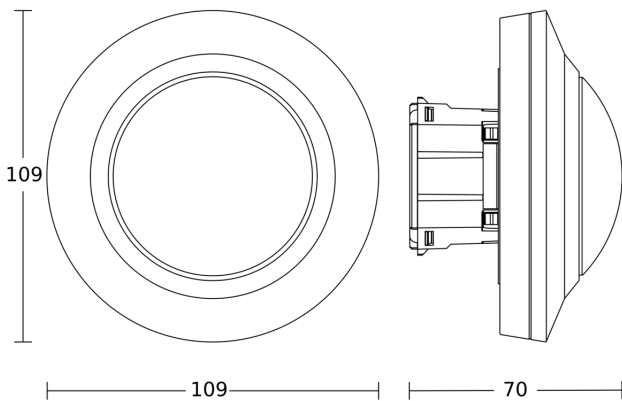
Possible mounting height: 2,00 m - 4,00 m
Orange: radial
Black: tangential

Detection Zone 2

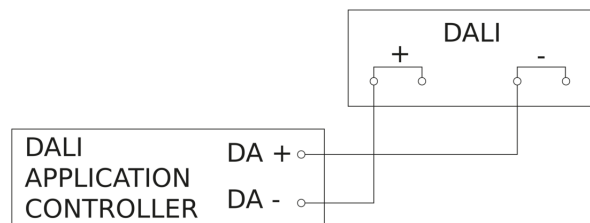


Possible mounting height: 2,00 m - 4,00 m
Orange: radial
Black: tangential

Dimension Drawing



Circuit diagram



PD-8 ECO

DALI-2 Input Device - concealed white
EAN 4007841 088194
Article number 088194



Circuit diagram for interconnecting DALI-2 APC with DALI-2 IPD

